

RK-UN-LU15 Work Light Bar

Installation Manual



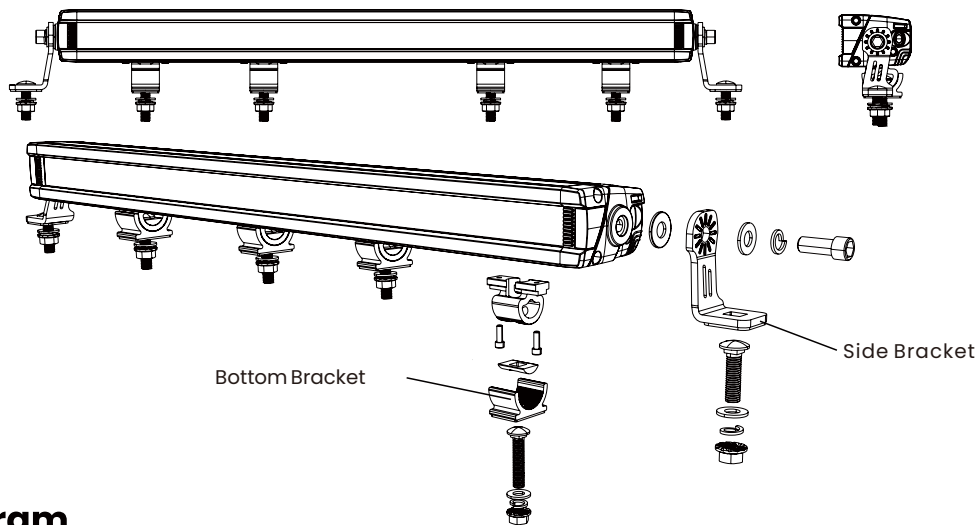
BEFORE YOU START Park on level ground, turn off the ignition, disconnect the negative battery terminal, and let components cool before installation.

Safety Information

- Park the vehicle on a level surface and engage the parking brake.
- Turn off the ignition and remove the key before installation.
- Disconnect the negative battery terminal to prevent electrical short circuits.
- Please wait until the bulbs and housings have completely cooled before handling them.

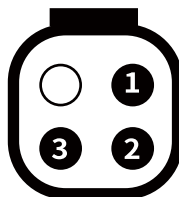
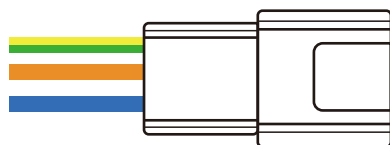
Tools Required

- Socket wrench set
- Phillips and flathead screwdrivers
- Trim removal tool
- Pliers (optional)
- Torque wrench



Wiring Diagram

Match each wire by function. Secure every connection before testing the light bar.



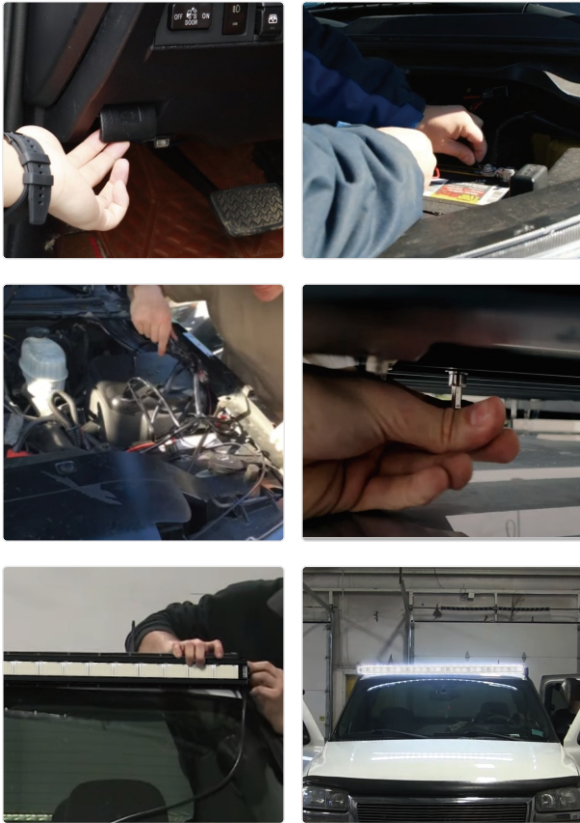
- ① - - - - - Negative
- ② - - - - - Work Light
- ③ - - - - - Position Light

**THANK YOU FOR CHOOSING
4x4 ROCKCATS!**

support@4x4rockcats.com
RK-UN-LU15 Installation Guide | Page 1



HOW TO INSTALL



1

Turn off the engine before installation.

2

Install the mounting brackets onto the desired mounting location. Secure the light bar with the supplied hardware.

3

Connect the light wires to a suitable power source according to your vehicle setup.

4

Route and secure all wiring away from moving parts, sharp edges, and heat sources. Test the light bar operation after installation.

FITMENT

Universal — Fits Various Vehicles

PRODUCT WARNINGS

Use with 9-32 V DC input. The light may become hot during continuous use. Avoid burns and allow cooling before service.

QUICK TROUBLESHOOTING

Issue: Light does not turn on - Check the relay, fuse, and switch. Verify 9-32 V input.
Issue: Light flickers - Tighten all connections and check the ground wire.
Issue: Only one color works - check the wiring for that color channel.
Issue: Light overheats - Check the wire gauge. Do not exceed the rated power.

**THANK YOU FOR CHOOSING
4x4 ROCKCATS!**

support@4x4rockcats.com
RK-UN-LU15 Installation Guide | Page 2

